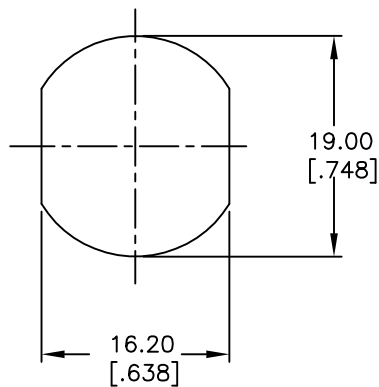


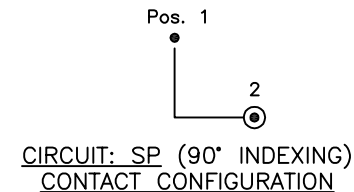
NOTES:

1. ALL DIMENSIONS IN MM [INCH]
2. GENERAL TOLERANCE: X.X=±0.4
X.XX=±0.25
3. TERM. NOS. FOR REF. ONLY
4. CONTACT RATING: 4A @125VAC/28VDC, 2A @250VAC
5. DIELECTRIC STRENGTH: 1KV RMS min. at sea level
6. ELECTRICAL LIFE: 10,000 make-and-break cycles at full load.
7. MATERIALS:

CONTACTS: Silver Plated CU (Q Contact material)
 TERMINALS: GOLD Plated Cu (Q Contact material)
 MOUNTING NUT: Nickel Plated zinc alloy
 CONTACT SPRING: Piano Wire
 KEYS (2): Brass with code no. A126
 LOCK: Bright NI plated zinc alloy with NI facing
 TUMBLER Mechanism: 4-disc tumbler cylinder.



RECOMMENDED PANEL LAYOUT



SWITCH FUNCTION	
CONNECTED TERMINAL #	
POS. 1	POS. 2
8-1	1-3

LEGEND

- =Detent Positions (45° or 90°)
- ⊙ =Key pull possible in these positions

E-SWITCH®

K0130P-A126

B	22572	REMOVED PINS 4,5, AND 7	10/28/16	MJR
A	14782	RELEASED FOR PRODUCTION	3/28/05	AR
REV.	ECN No.	DESCRIPTION	DATE	CHKD

THE INFORMATION CONTAINED IN THIS DOCUMENT IS PROPRIETARY TO E-SWITCH AND IS NOT TO BE COPIED OR TRANSFERRED

TITLE	K0130P-A126			
SCALE	1.5:1	DATE	3/28/05	DR
			AR	DWG
			K200262	REV
			B	